

speich



Windscreen Wiper SU

Pantograph/pendulum wiper range | Large size windows | Heavy duty | Centralized control systems

Synonymous with top-quality and efficiency, with our reputation built on decades of experience, SPEICH designs and manufactures custom-made windscreen wiper systems guaranteeing the maximum performance and reliability.

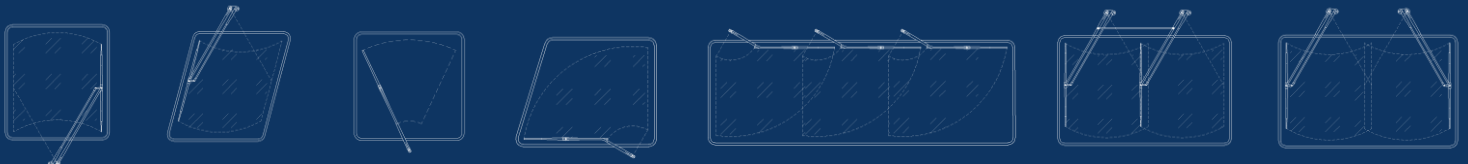


MAIN DESCRIPTION

The pantograph/pendulum windscreen wiper SU consists of an electric motor unit and an arm equipped with a wiper blade. This system, suitable for heavy-duty applications and large sized windows, is custom-made for each boat and its windows and designed to optimize the wiping area and ensure the clearest visibility.

OUR STRENGTHS

- Experience-based tailor-made solutions
- Full product lifecycle management and customer involvement
- Brand synonym of experience, style and technology
- Fast and reliable delivery time
- In-house manufacturing
- Excellent product quality and performance





TECHNICAL DATA

Voltage	24 Vdc 115÷230 Vac 50÷60 Hz
Power rating	85W nominal 420W starting
Working temperature	-30°÷+45°C
Wall Thickness	10÷100 mm (*)
Wiping Angles	30°÷110°, 5° step
Starting Torque	80 Nm
Nominal Power	85 W
Control System	UC
Max Arm Length	1200 mm
Max Blade Length	1500 mm
Speed	42 stroke/min

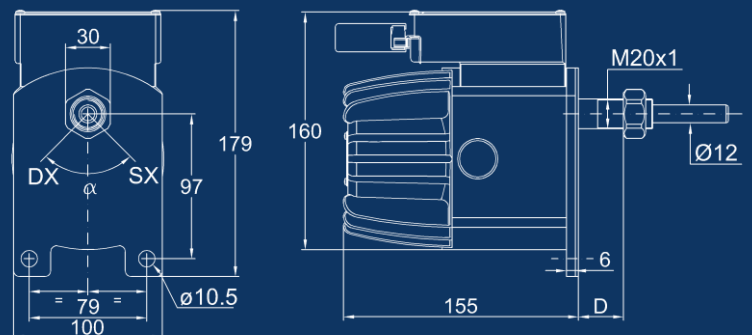
(*) 10 mm step, on request up to 250 mm

SERVICES

- Project management from A to Z, specification compiled in close cooperation with client.
- Worldwide distribution and service.
- 15 years product support program focus on long term spares service and product lifetime assistance.
- Short lead-time
- Custom-design arms with the possibility of folding for very recessed glass or specific applications.
- On request, wiper arm can be fitted with spray nozzles and/or heating element.
- Custom finishes for wiper arms and motor units.
- Complete solutions of washer systems and control systems.

PRODUCT FEATURES

- IEC 60945 compliance.
- Suitable for large sized windows and heavy-duty applications.
- Motor compact design as to guarantee a simple installation.
- Wide range of adjustment during installation.
- Materials and treatments carefully selected to guarantee high endurance and corrosion resistance.
- On request, the system can be fitted with double arm for special requirements.
- The UC control system is designed to operate in single speed. Different version of UC control unit are available. The main different relies in the number of wiper systems and auxiliaries (such as washing system and window or wiper heaters) which can be operated.
- The wiper systems can be operated singularly or as a group, while they can work either at constant or variable intermittence velocity.



CONTACT

Speich S.r.l. - Via G. Adamoli 443 - 16141 Genova - Italy

Tel.: +39 010 8380676 | E-mail: info@speich.com

A complete list of our distribution network is available on our web site: www.speich.com

