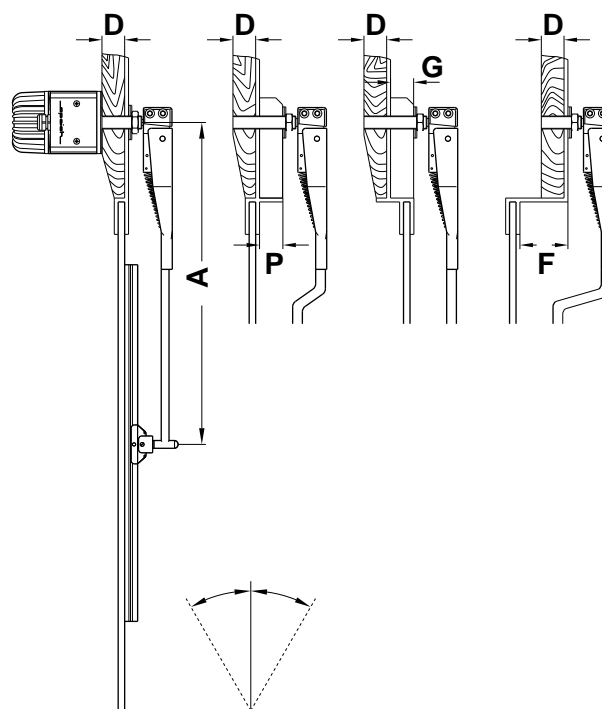
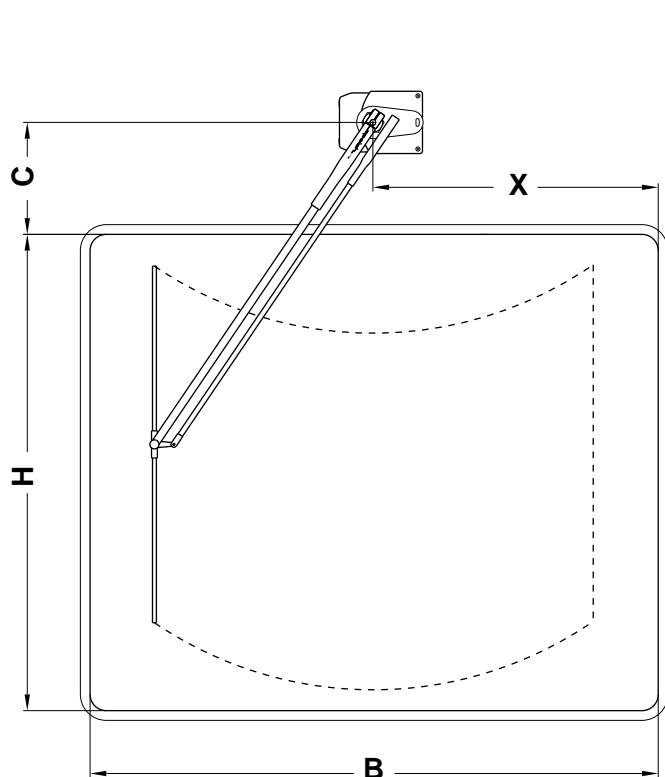


Form to collect the measure of the windows

speich



Order/Order N°:	Company:	Window 1	Window 2	Window 3
V Voltage (V)				
B Width (misura in mm)				
H Height (misura in mm)				
A/B Motor installed above or below the window (A= Above B=Below)		<input type="checkbox"/> A <input type="checkbox"/> B	<input type="checkbox"/> A <input type="checkbox"/> B	<input type="checkbox"/> A <input type="checkbox"/> B
C Distance between the position of the motor and the frame above (measure mm)				
X Distance between the position of the motor and the frame sx or dx (measure mm)				
D Thickness of the bulkhead (measure mm)				
P Outside frame (measure mm)				
F Recessed glass (measure mm)				
G Protruding glass (measure mm)				
Optionals				
Spray nozzle with fitting to pass through the bulkhead		<input type="checkbox"/>	<input type="checkbox"/>	<input type="checkbox"/>
Electrovalve		<input type="checkbox"/>	<input type="checkbox"/>	<input type="checkbox"/>
Inox water tank 7l with pump and bracket		<input type="checkbox"/>	<input type="checkbox"/>	<input type="checkbox"/>
Liftable arm (measure mm - max length 600mm)				

speich